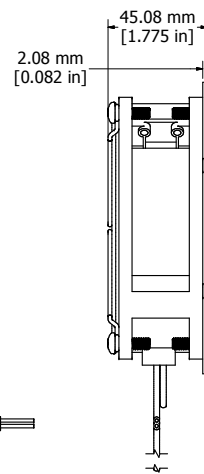
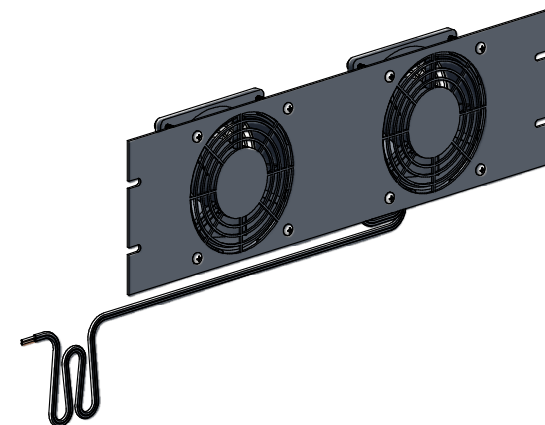


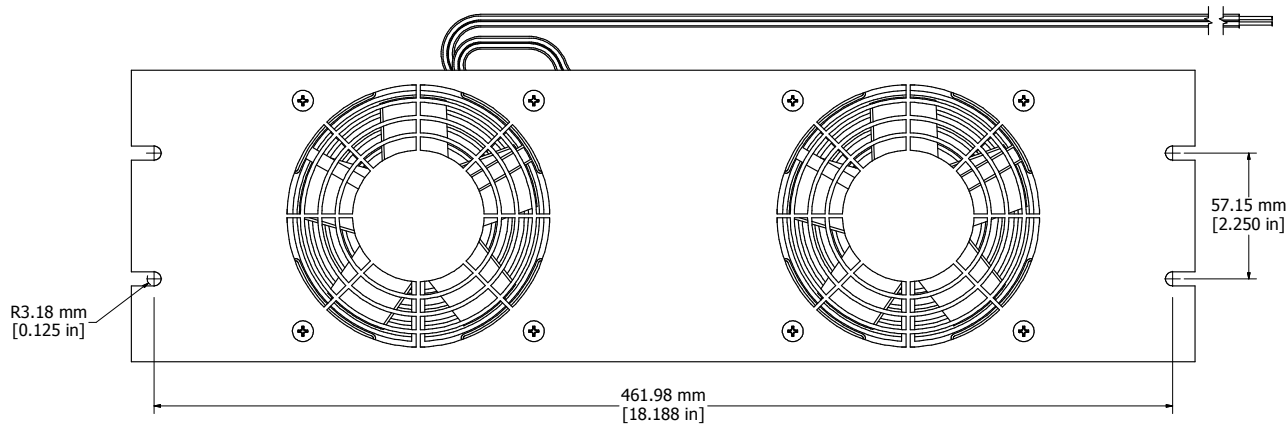
ASSEMBLY - VIEW FROM REAR




ASSEMBLY - VIEW FROM SIDE



ISOMETRIC VIEW



ASSEMBLY - VIEW FROM FRONT

<b>PPGPFA230</b>	
Panel - Painted Black Steel	
230 VAC, 50/60 Hz, 0.19 Amps, 200 CFM	
	<b>HAMMOND MANUFACTURING™</b>
	<b>PPGPFA230</b>
<a href="http://www.hammondmfg.com">www.hammondmfg.com</a>	